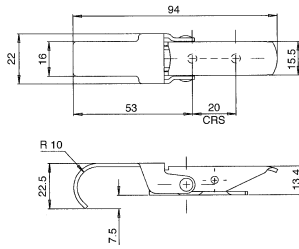


Solid Claw Link, Slim-Line



- Neat appearance - base contained within lever envelope
- Zinc-plated steel, with solid claw link
- No strike required - engages on pre-formed lip or cut-out
- Locking hole feature
- Rivet base
- 8mm pull up



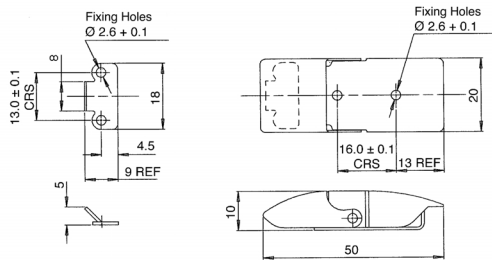
stc153

Order Multiple=2	Price Each				
Order Code	2+	6+	10+	20+	50+
716-8822					

Fully-Enclosed, Smooth, Compact



- Neat, compact appearance
- Low profile - 10mm height
- Steel with chromium plate finish
- Rivet base
- 8mm pull up



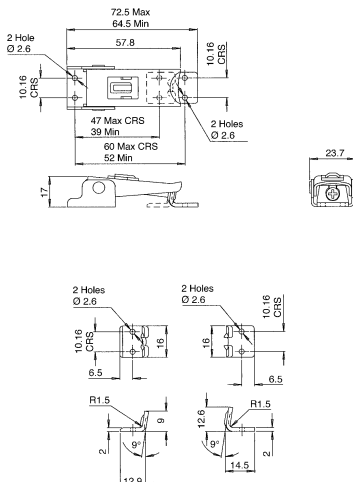
stc154

Order Multiple=2	Price Each				
Order Code	2+	6+	10+	20+	50+
716-8925					

Adjustable, High Strength, Compact, Secondary Lock



- Compact with high strength
- Fully adjustable to 8mm
- Vibration-proof
- Secondary lock safety feature
- With 8mm pull up
- Supplied with two strikes with each latch
- Versions available in zinc-plated steel or stainless steel (Grade 304)



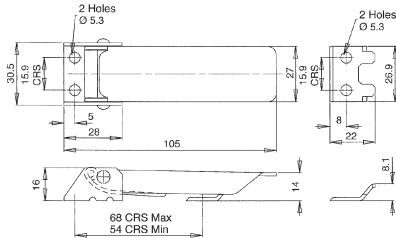
stc155

Order Multiple=2	Price Each				
Order Code	2+	6+	10+	20+	50+
Zinc-plated 716-9036					
Stainless steel 716-9048					

Adjustable, High Strength, Low Profile



- High strength
- Fully adjustable to 14mm
- Vibration-proof
- Zinc-plated steel
- With 5mm pull up



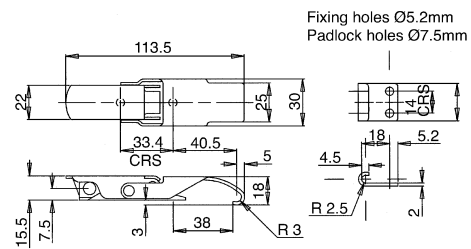
stc156

Order Multiple=2	Price Each				
Order Code	2+	6+	10+	20+	50+
716-9322					

Solid, Claw Link, with Padlock Facility



- With solid claw link
- Locking hole feature
- Rivet base
- 15mm pull up
- Versions available in zinc-plated steel and stainless steel (Grade 304)



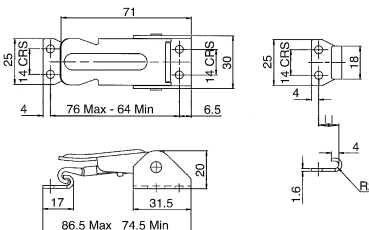
stc157

Order Multiple=2	Price Each				
Order Code	2+	6+	10+	20+	50+
Zinc-plated 716-9553					
Stainless steel 716-9565					

Adjustable, High Strength, Compact



- High strength
- Fully adjustable to 12mm
- Vibration-proof
- Zinc-plated steel
- with 8mm pull up



stc160

Order Multiple=2	Price Each				
Order Code	2+	6+	10+	20+	50+
717-1730					

Continued