

3M Respiratory Protection — continued

Maintenance Free Respirators



The following Gas and Vapour respirators all approved to EN405 and all carry appropriate CE marking.

**EN405** categorises gas and vapour half-mask respirators by their filtering efficiency:

**FFA1P1**-Organic vapours up to 10 O.E.L.\* or 1000ppm whichever is lower, 4 O.E.L. for particulates

**FFA2P2**-Organic vapours up to 10 O.E.L. or 500ppm whichever is lower, 12 O.E.L. or 1000ppm whichever is lower 12 O.E.L. for particulates

**FFABE1P2**- Organic vapours, inorganic and acid gases up to 10 O.E.L. or 1000ppm whichever is lower, 12 O.E.L. for particulates

**FFK1**-Ammonia up to 10 D.E.L

For extended use of the 4000 or 5000 series masks the mask seal should be cleaned and the respirators returned to their bag which should then be sealed. See order code 289-668, page 776 for suitable mask seal wipes.

All 400 series respirators utilise unique carbon filters with low breathing resistance. The filters are non-protruding for improved peripheral vision and ease of use with other safety equipment, such as goggles, visor and helmets. An exhalation valve helps to reduce moisture build in hot conditions.

**4251** = Organic vapour and particulate to FFA1P1. For effective protection against organic vapours (boiling above 65°C) and particulate to P1 level.

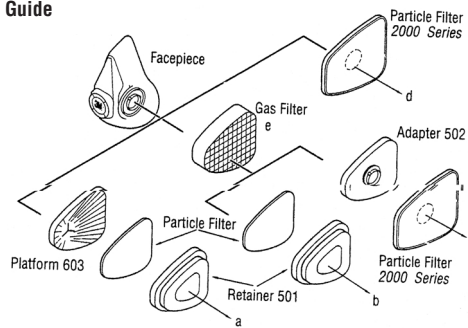
**4255** = Organic vapours and particulate to FFA2P2. For effective protection against organic vapours (boiling above 65°C) and particulate to P2 level.

**4277** = Organic, Inorganic, acid gas and particulate to FFABE1P2. For effective protection against a wide range of vapours and gases and particulate to P2 level.



6000 Series Half-Mask Respirator Configurations

Selection Guide



All products carry the CE marking

**a) Particulate Respirators (to P2 level)**

For use with 5911 P1 and 5925 P2 particulate filters  
e.g. 6200 + 603 + 5925 + 501 = P2 respirator

**b) Gas and Vapour and Particulate Respirators (to P2 level)**

For a combination of gas and vapour and particulate filters 5911 P1 and 5925 P2  
e.g. 6200 + 6057 + 5911 = ABE1P1 respirator

**c) Gas and Vapour and Particulate Respirators (to P3 level)**

For a combination of 6000 series gas and vapour filters with 200 series particulate filters  
e.g. 6200 + 6057 + 502 + 2137 = ABE1P3 respirator

**d) Particulate Respirators to PS level (nuisance level organic gases)**

For use with 2000 series particulate filters  
e.g. 6200 + 2137 = P3 respirator (+ nuisance level organic gases)

**e) Gas and Vapour Respirators**

For use with 6000 series gas and vapour filters only  
e.g. 6200 + 6057 = ABE1 respirator

Respirator Face Piece – 6000 Series

- Easy to use
- Lightweight and well balanced
- Low maintenance
- Flexible choice of filter system
- Cost effective
- Three size fitting
- Conforms to EN140

FOR SUITABLE FILTERS AND FITTING ACCESSORIES SEE PAGE 776

Mftrs. List No. 6100S = 575-940, 6200M = 575-951, 6300L = 575-963



PPE153

Mftrs. List No.	Order Code	1+	5+	10+	20+
4251	.289-632				
4255	.575-926				
4277	.575-665				
Mask seal wipes	289-668				

HS066

\*O.E.L. = Occupational Exposure Level as specified in guidance note EH40 from the Health and Safety Executive.

Low-Maintenance Respirators

6000 Series



575-951 & 576-001

Face piece with ABE1 gas & vapour filter



575-951 & 576-049

Face piece with P3 particulate filter



A range of low maintenance half-masks providing protection against gases, vapours and fine particulates in any combination.

These easy to use masks may be fitted with a combination of filters to match the protection levels required.

Filter types and protection levels:-

**Particulate Filters**

Filter	Class	Use for protection against	Max. Usage Level
5911	P1	Particulates	4 OEL
5925	P2	Fine particulates	12 OEL
2128	P2	Fine particulates (ozone protection 10 OEL) (organic vapours/acid gas below OEL)	12 OEL
2137	P3	Fine particulates (ozone protection 10 OEL) (organic vapours below OEL)	50 OEL

**Gas and Vapour Filter**

Filter	Class	Use for protection against
6051	A1	Concentrations of organic vapours of up to 10 OEL or up to 1000ppm (whichever is lower)
6054	K1	Concentrations of ammonia/ammonia derivatives of up to 10 OEL or up to 1000ppm (whichever is lower)
6055	A2	Concentrations of organic vapours of up to 10 OEL or up to 5000ppm (whichever is lower)
6057	ABE1	Concentrations of organic and inorganic vapours and acid gases of up to 10 OEL or up to 1000ppm (whichever is lower)

PPE152

Filters and Fitting Accessories for 6000 Series

- Particulate, Gas and Vapour filters
- Large filter surface area for improved filtering
- May be combined with gas and vapour filters for flexible all-round protection

**Particulate Filters**

- Protection against particulates, non-volatile aerosols and nuisance level odours or acid gases
- Conforms to EN143

**Gas and Vapour Filters**

- Protects against organic and inorganic vapours, acid gases and ammonia
- Conforms to EN141

**Fitting Accessories**

Type	Use	Mftrs. List No.	Order Code
Platform	Attaching P1 & P2 filters to 6000 series face piece (Use in conjunction with Retainer 501)	603	576-050
Retainer	Holds P1 & P2 filters to other Filters and Platform	501	576-062
Adaptor	Attaching P2 & P3 Series 2000 filters to other Filters	502	576-074

PPE155

Filter Class	Mftrs. List No.	Qty. per Box	Order Code	1+	5+	10+	20+
<b>Particulate</b>							
P1	5911	2	576-013				
P2	5925	20	576-025	1+	4+	8+	16+
P2	2128	20	576-037				
<b>Gas and Vapour</b>							
A1	6051	8	575-975				
K2	6054	8	575-987				
A2	6055	8	575-999				
ABE1	6057	8	576-001				
<b>Accessories</b>							
Platform	603	2	576-050				
Retainer	501	2	576-062				
Adaptor	502	8	576-074				