

Style	T	T1	DR	DF	L	W	Order Code
1	1.57	2.0-4.2	5.95-6.1	6.35-6.5	8.5	8.5	723-5100
2	1.57	2.0-4.2	7.5-7.7	8.0-8.2	9.0	10.8	723-5112
3	12.0	2.0-4.2	7.5-7.7	8.0-8.2	9.0	10.8	723-5124

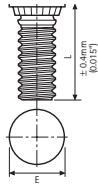
H273

25 Per Pack		Price Per Pack				
Style	Order Code	1+	10+	25+	50+	100+
1	723-5100					
2	723-5112					
3	723-5124					

## Sheet Material Fasteners

### Captive Studs

Zinc-Plated & Passivated



- Easy assembly with any 'squeeze' press
- High torque resistance
- Ideal for coated materials
- Manufactured in case hardened steel

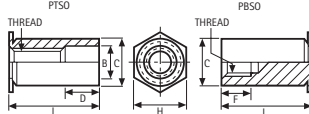
Designed for quick and easy installation using a simple 'squeeze' press. Can be fitted into steel, brass, copper and aluminium alloy sheet.

ISO metric thread sizes	M3	M4	M5	M6
Head $\varnothing$ approx. 'E'	4.5	5.5	6.5	8.0
Min. sheet thickness	1.0	1.0	1.0	1.5
Min. distance to centre line of hole size from sheet edge	5.5	7.0	7.0	8.0
Recommended hole size	2.97/3.05	3.96/4.04	4.98/5.06	5.97/6.05
Clearance hole in parts attached	3.33/3.58	4.27/4.52	5.26/5.51	6.25/6.5
Max. recommended nut tightening torque Nm	0.84	1.92	3.84	8.02

H254

50 Per Pack		Price Per Pack				
Length	Order Code	1+	5+	10+	25+	50+
<b>M3</b>	8	703-1920				
	10	703-1932				
	12	703-1944				
	14	703-1956				
	16	703-1968				
<b>M4</b>	8	703-1993				
	10	703-2006				
	12	703-2018				
	14	703-2020				
	16	703-2031				
	18	703-2043				
20	703-2055					

### Stand-Offs



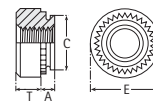
- For heavy-duty applications, LSS type (Large Surface Support) is available
- Available in steel
- Remain captive in sheet
- PBSO or 'blind' version prevents contaminating particles from passing through fastener
- Adds cosmetic value to panel

ISO metric thread size	M3	M4	M5
For use in sheet thickness	$\geq 1.0$	$\geq 1.3$	$\geq 1.3$
Hole size in sheet thickness +0.08-0.00	5.4	7.2	7.2
C +0.00-0.13	5.39	7.14	7.14
H	6.4	7.9	7.9
B	4.0	4.8	5.2
Min. distance of hole centre to sheet edge	6.7	8.0	8.0

H255

50 Per Pack		Price Per Pack				
Length L	Order Code	1+	5+	10+	25+	50+
<b>Through Hole (PTSO)</b>						
<b>M3</b>	6	703-3102				
	8	703-3114				
	10	703-3126				
	12	703-3138				
	14	703-3140				
<b>M4</b>	6	703-3151				
	8	703-3163				
	10	703-3175				
	12	703-2882				
	14	703-2894				
<b>M5</b>	6	703-2900				
	8	703-2912				
	10	703-2924				
	12	703-2936				
	14	703-2948				

### Self-Clinch Nuts



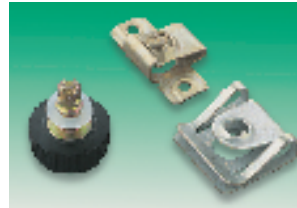
- High torque resistance
- Reverse side of the sheet remains totally flush
- Easy assembly with any 'squeeze' press
- Case-hardened mild steel
- Maximum material hardness 80RB

Thread Size	Shank No.	For sheet Thickness	A Max.	Hole size in sheet +0.08		E Approx.	T	Min. Distance Centre Line Hole to Sheet
				-0.00	C Max.			
M3	1	1.1-1.4	1.05	4.75	4.70	7.1	1.6	5.6
	2	1.5-2.3	1.45	4.75	4.70	7.1	1.6	5.6
M4	1	1.1-1.4	1.05	5.40	5.35	7.9	2.4	6.7
	2	1.5-2.3	1.45	5.40	5.35	7.9	2.4	6.7
M5	1	1.1-1.4	1.05	6.35	6.30	8.7	2.4	7.0
	2	1.5-2.3	1.45	6.35	6.30	8.7	2.4	7.0
M6	1	1.4-2.3	1.35	8.75	8.70	11.1	4.4	8.7
	2	2.4-3.2	2.30	8.75	8.70	11.1	4.4	8.7

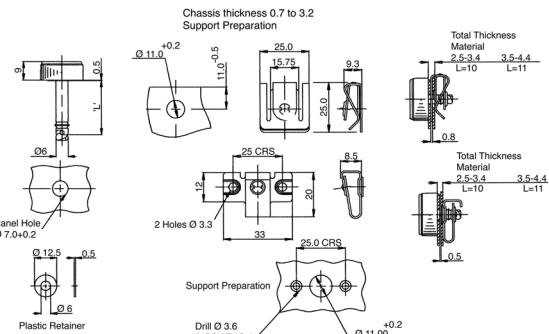
H256

50 Per Pack			Price Per Pack				
Shank No.	Order Code	1+	5+	10+	25+	50+	
<b>M3</b>	1	703-3229					
<b>M3</b>	2	703-3230					
<b>M4</b>	1	703-3242					
<b>M4</b>	2	703-3254					
<b>M5</b>	1	703-3266					
<b>M5</b>	2	703-3278					
<b>M6</b>	1	703-3280					
<b>M6</b>	2	703-3291					

### Panex Moulded Knob Stud Kit



- Quick and easy to assemble
- Quarter turn to lock/unlock
- Stud captive in panel – cannot be lost
- Hand operated – easy grip
- Positive lock feature
- Steel, zinc plate, chromate passivation
- Each kit contains: slip on receptacle, rivet plate, plastic retainer and knob stud



FAS58

Order Multiple=5		Price Each				
Stud Length	Order Code	5+	25+	50+	100+	500+
10	706-8748					
11	706-8750					

continued

## Can't find it in the Catalogue?

Then contact (65) 788 0200 for contact to 2 million extra products from 350 manufacturers.